

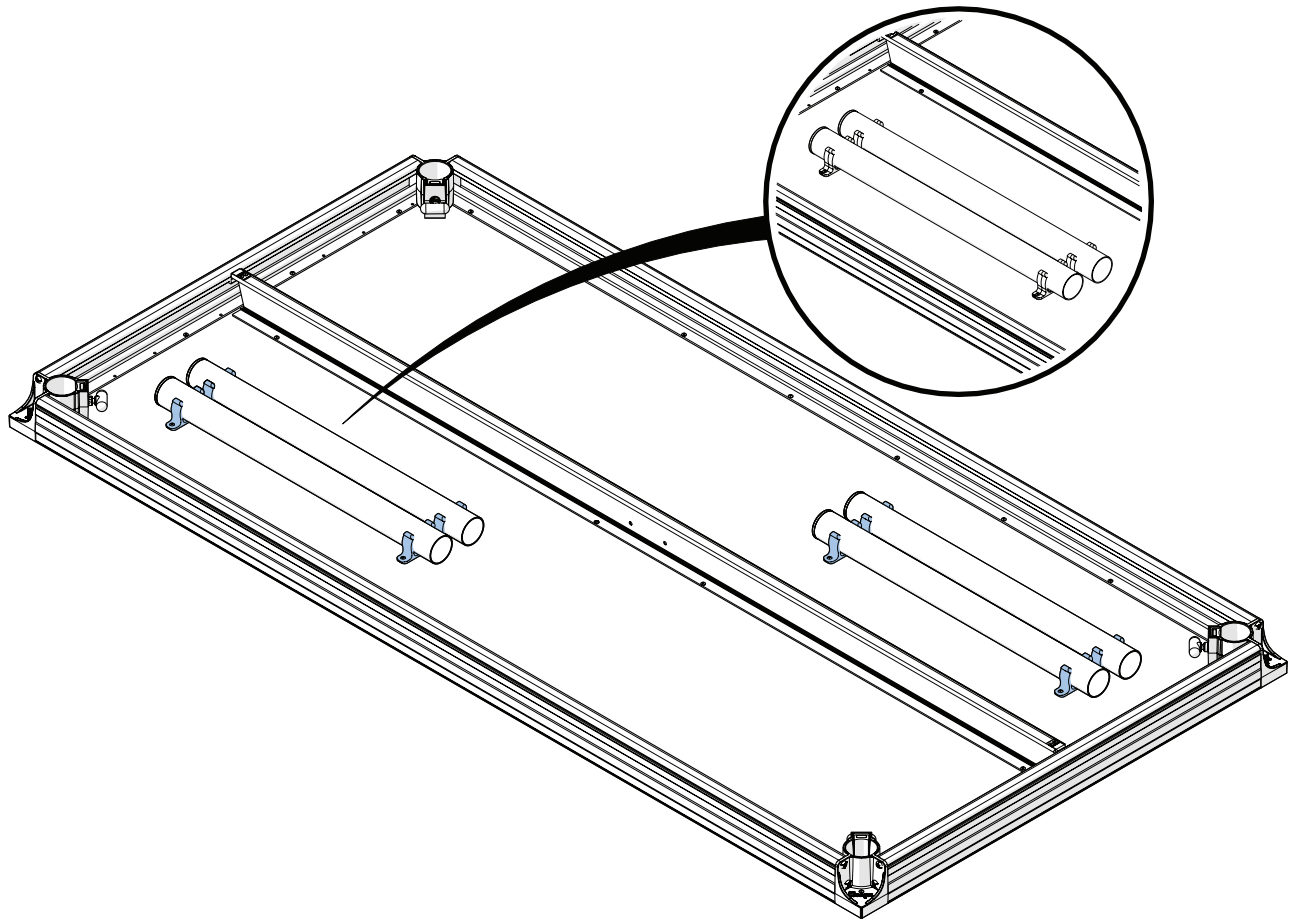


Leg Retention Clip Accessory for StageTek® Staging System

Basic Instructions only!
For more detailed product information, refer to the StageTek Staging System Owner's Manual 280A099.

CAUTION
Make sure anyone assembling or installing StageTek components has read and understands the instructions.

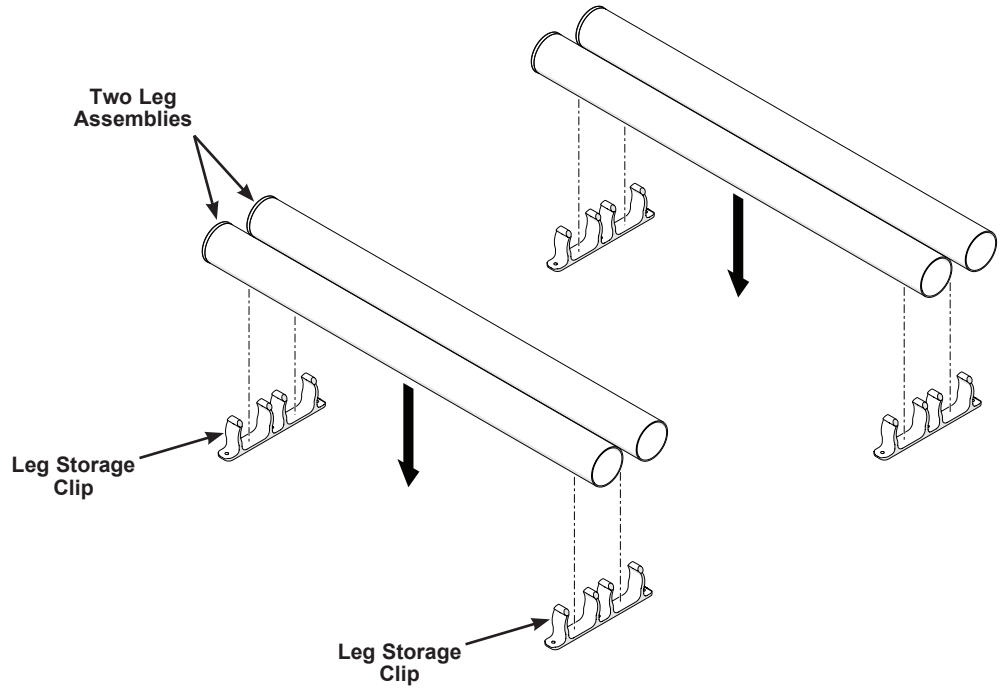
CAUTION
Always comply with Warnings or Cautions in the instructions or posted on the equipment.



Visit the StageTek Staging System web page at wengercorp.com for more information.

Note: Please read and understand these instructions before assembling or setting up.
Note: If you need additional information, contact Wenger Corporation using the information below.

1. Snap two leg assemblies into two leg storage clips leaving approximately 2" to 4" (51 to 102 mm) hanging over on each end as shown.



2. Position each set of leg storage clips and leg assemblies on the underside of the platform deck.
Chose a location that will allow adequate space for removing or attaching the leg assemblies without interference from other components of the stage deck.
3. Attach each of the leg storage clips to the platform deck using three #10-16 x 3/4" pan head screws.

